

SCALARWORKS®

S H O O T E R D R I V E N®

LEAP/15

OWNER'S MANUAL



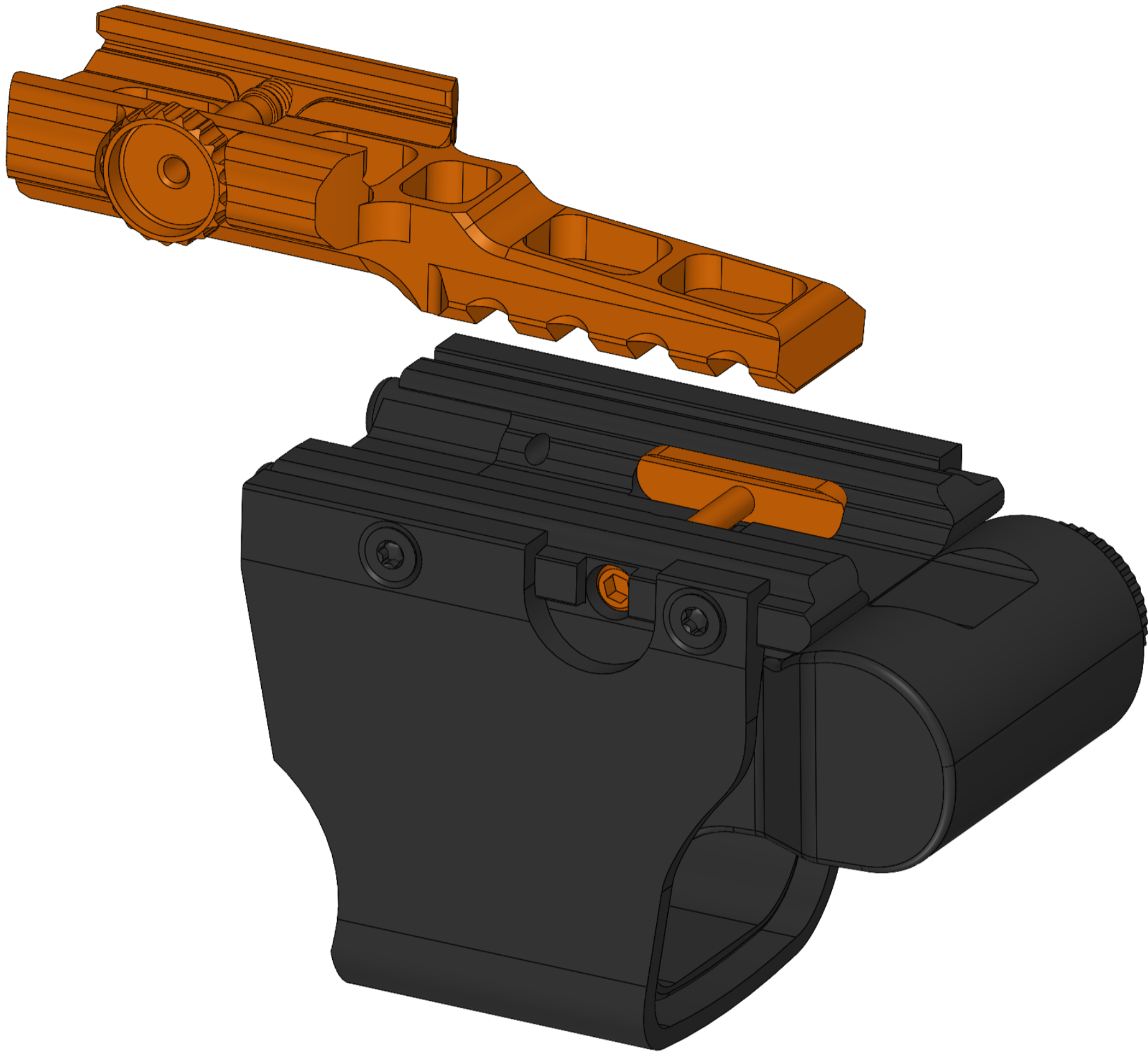
Questions?

[EMAIL SUPPORT](#)

ASSEMBLY

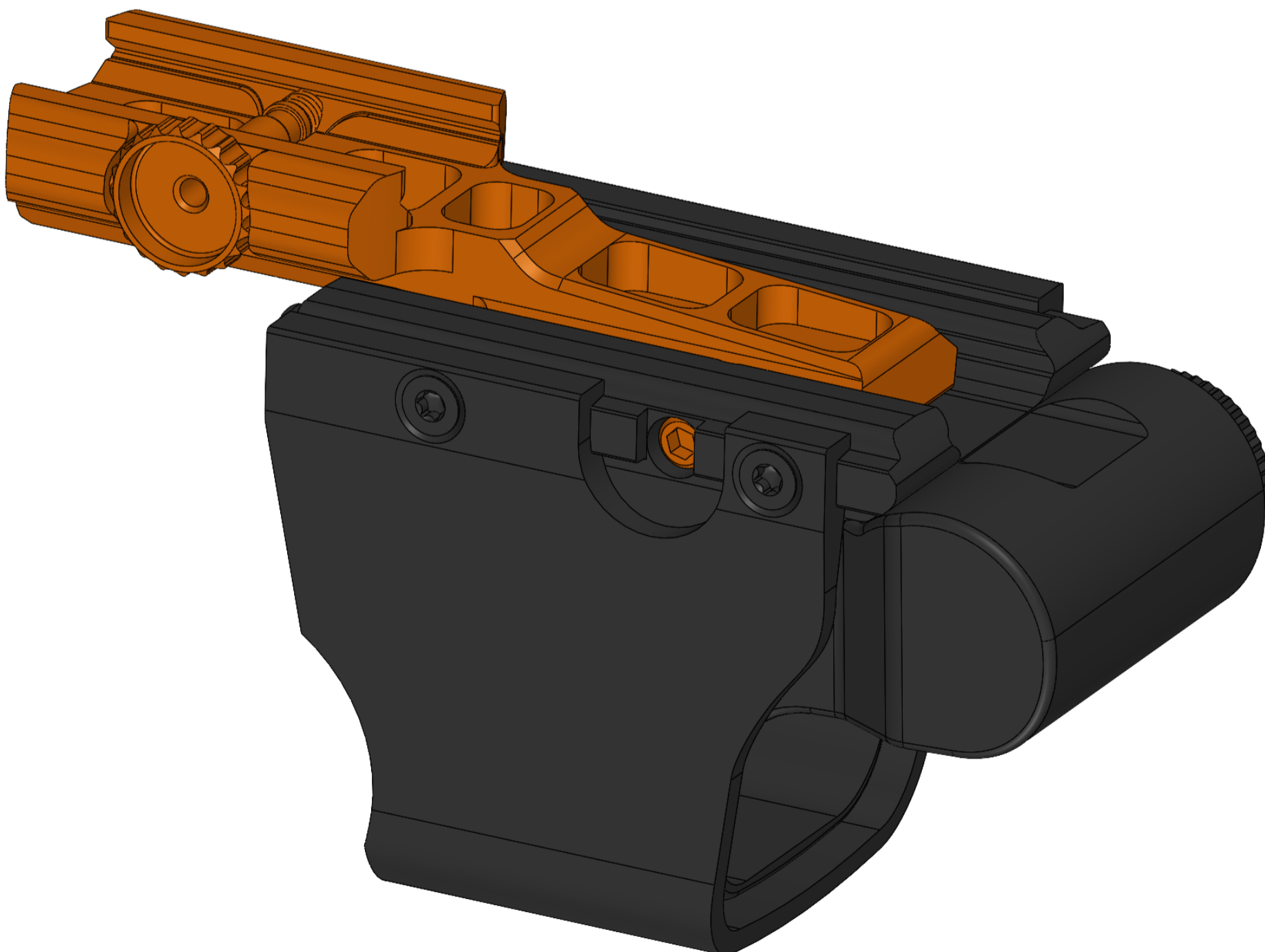
01.

Open XPS clamp and attach onto mount rail ensuring adequate access to ClickDrive wheel.



02.

Visually inspect to verify proper seating. Fasten XPS 7/64" hex bolt to 17 inch-lbs.



17 INCH-LBS MAX

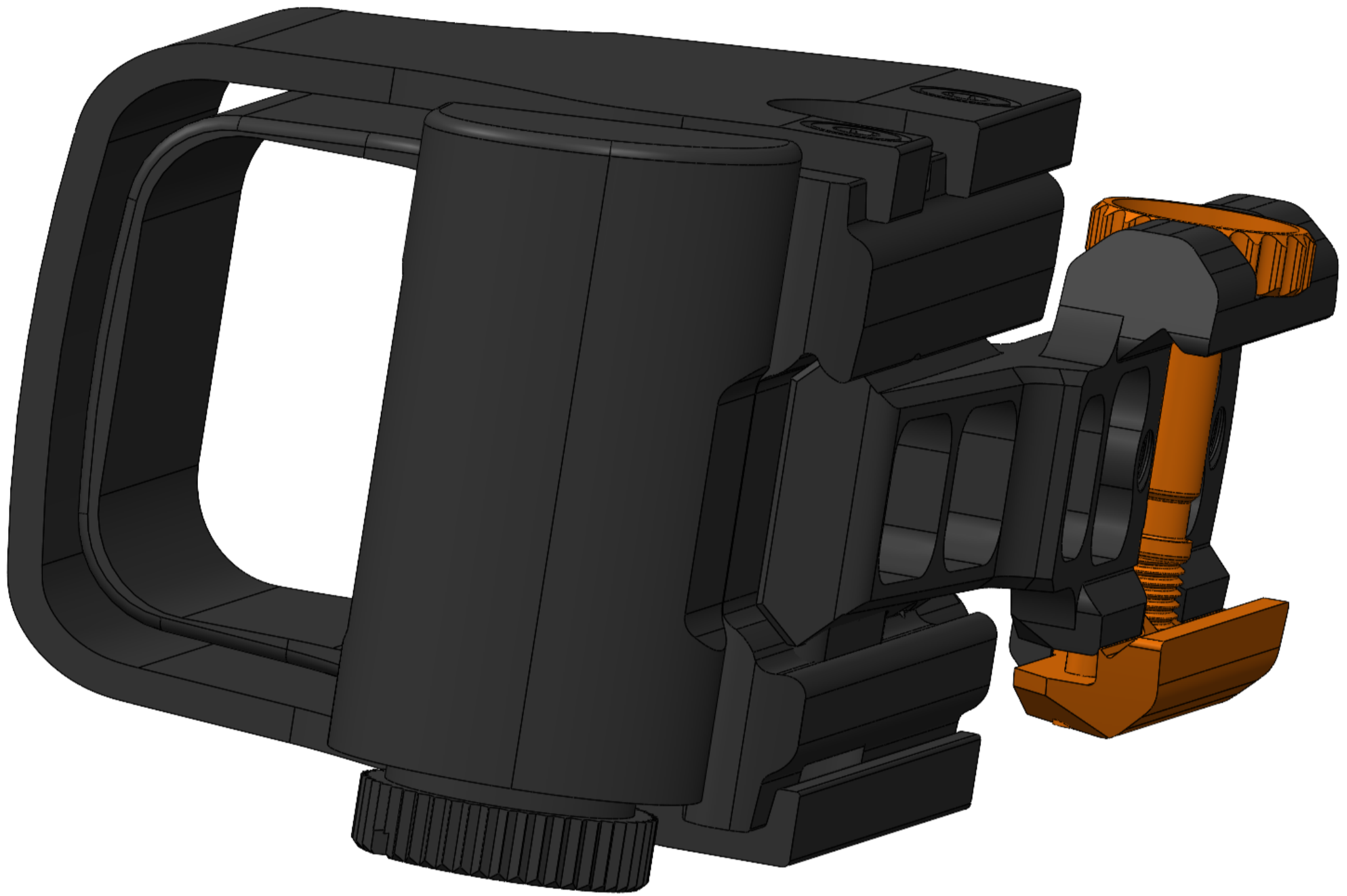
INSTALLATION



UNLOAD & MAKE WEAPON SAFE

01.

Open clamp no further than internal stops allow to prevent clamp from wedging itself open.



02.

Hook Leap mount onto rail from ClickDrive Side and rock onto rail.



INSTALLATION



UNLOAD & MAKE WEAPON SAFE

03.

Close clamp by turning ClickDrive wheel clockwise as tightly as you can (Do not use tools).



PRO TIP

USE YOUR RIGHT HAND TO TIGHTEN AND LEFT HAND TO LOOSEN