

# SCALARWORKS®

S H O O T E R D R I V E N®

## SYNC/01

OWNER'S MANUAL



RMR



ACRO



DPP



509T

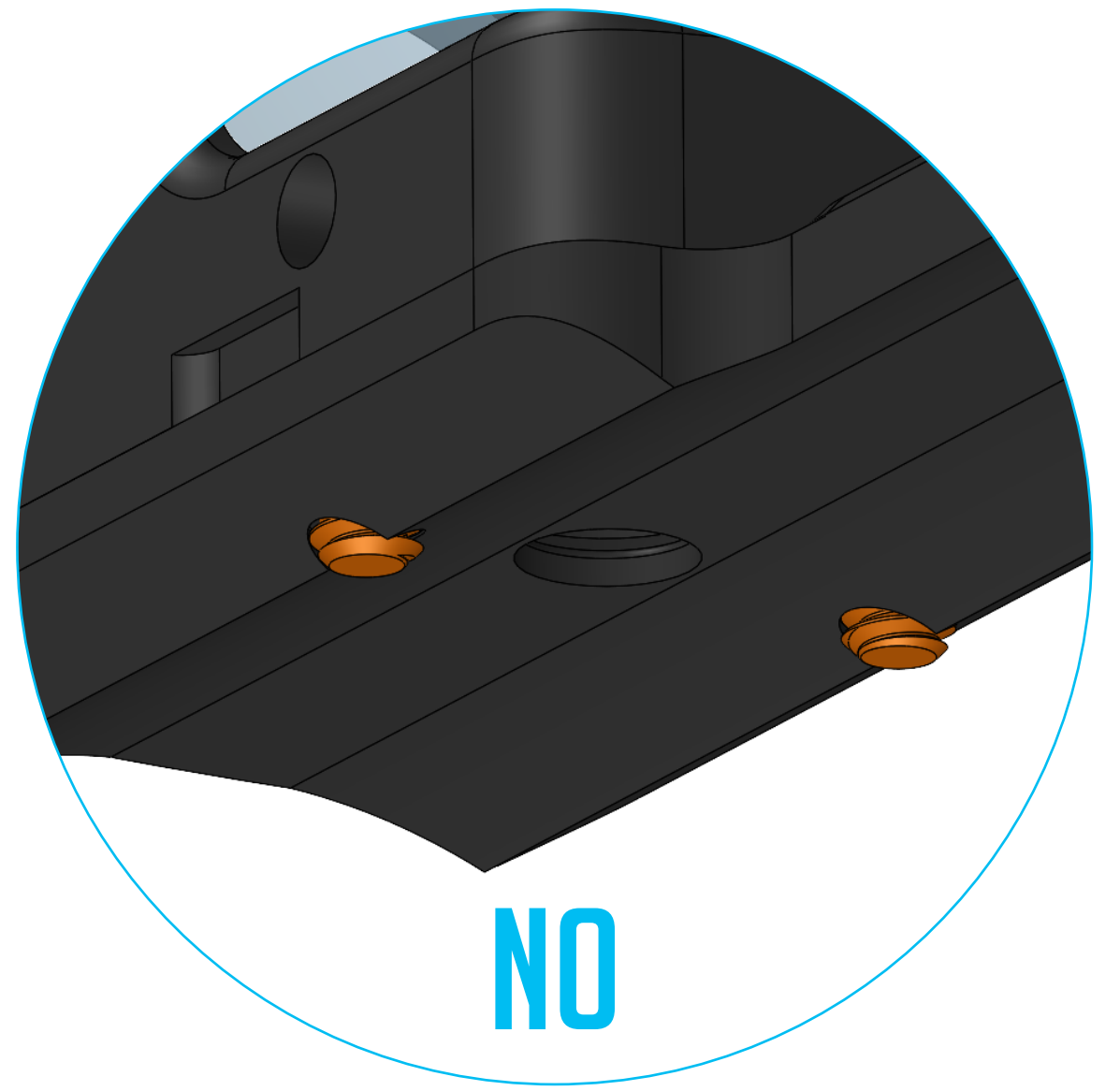
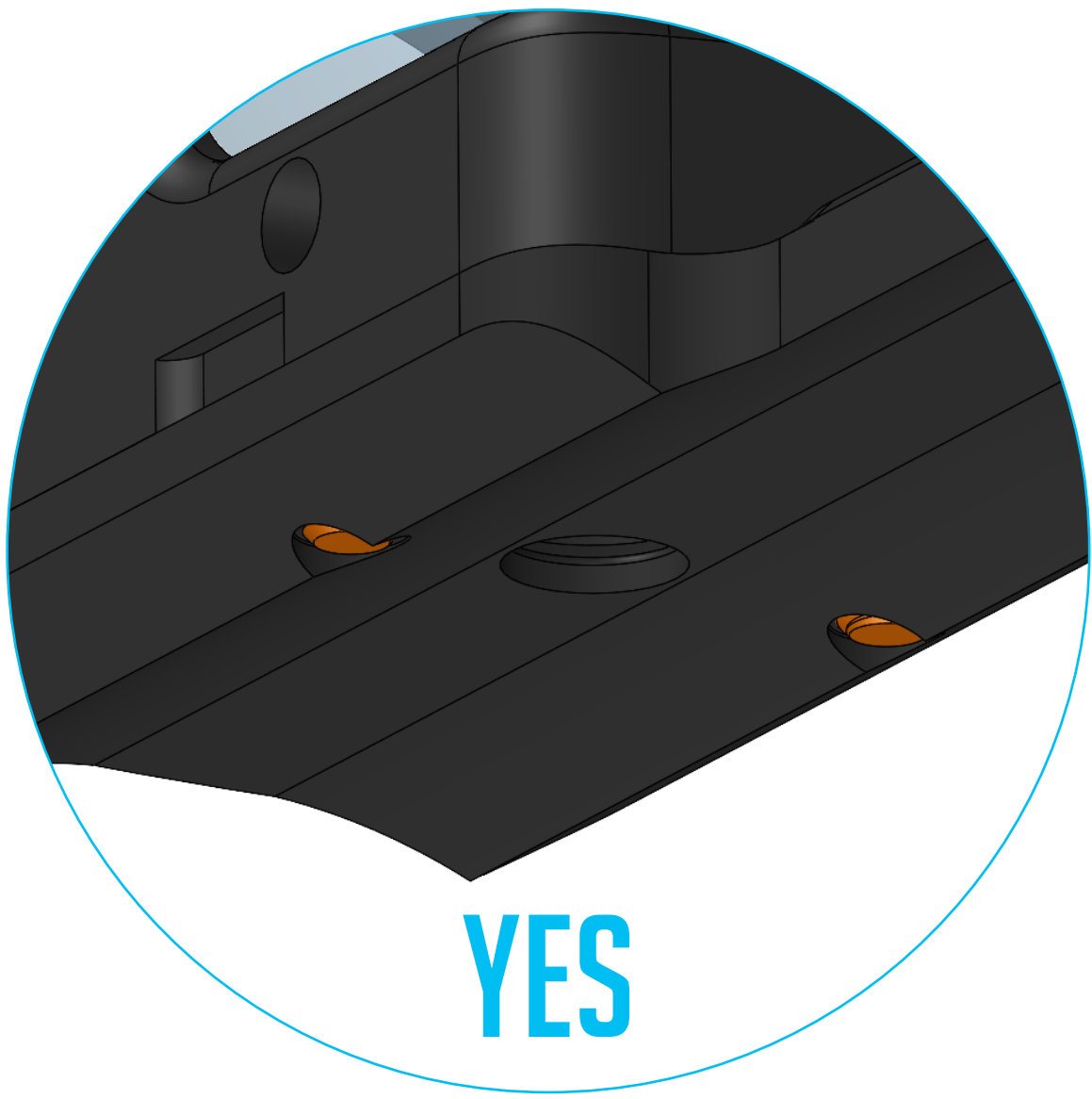
Questions?

[EMAIL SUPPORT](#)

# RMR PLATFORM

01.

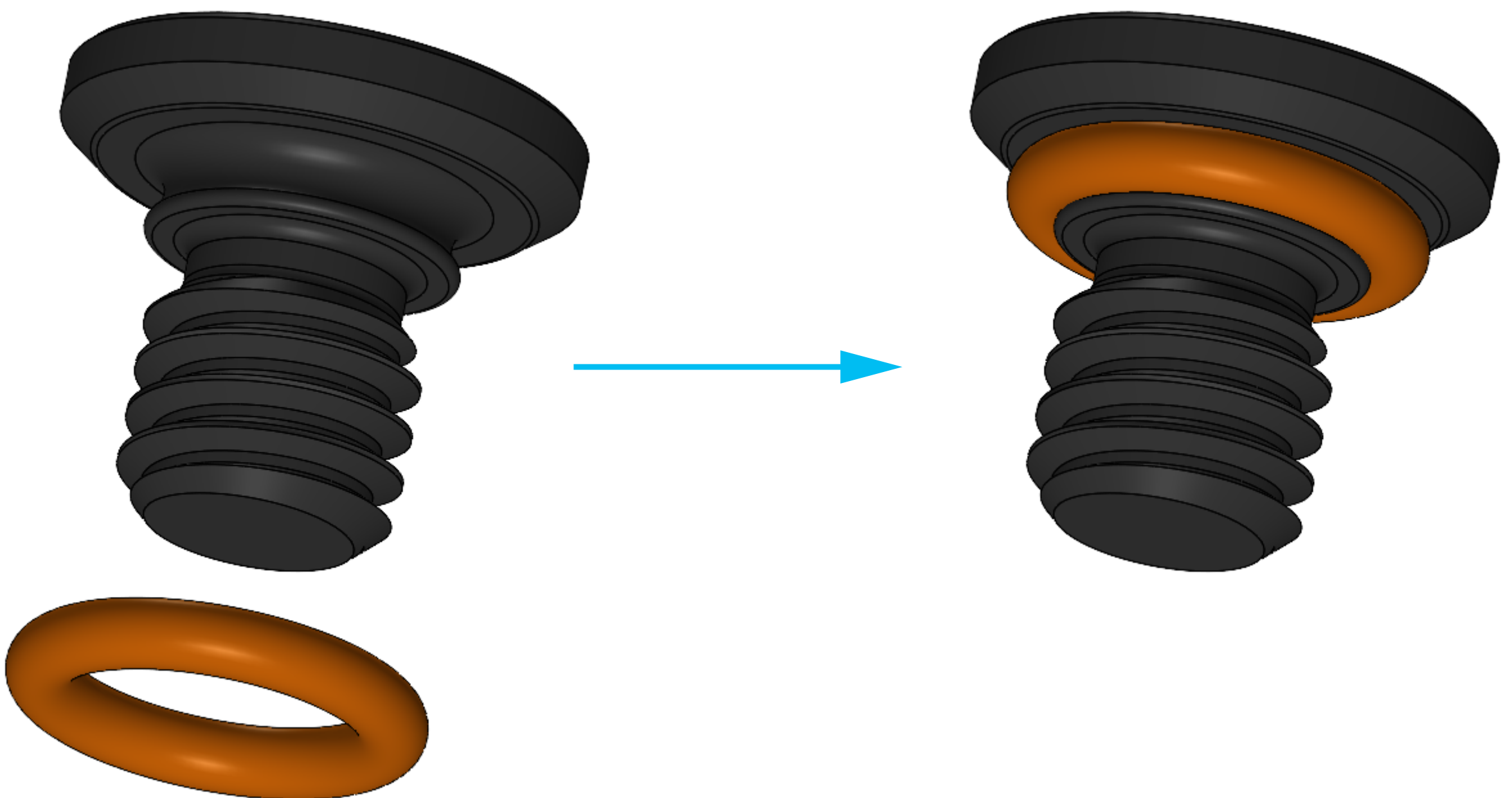
Verify correct optic screw length by fitting optic to mount before attaching to shotgun.



**DO NOT INSTALL IF SCREWS PROTRUDE**

02.

Seat included o-ring onto one of the mounting screws.



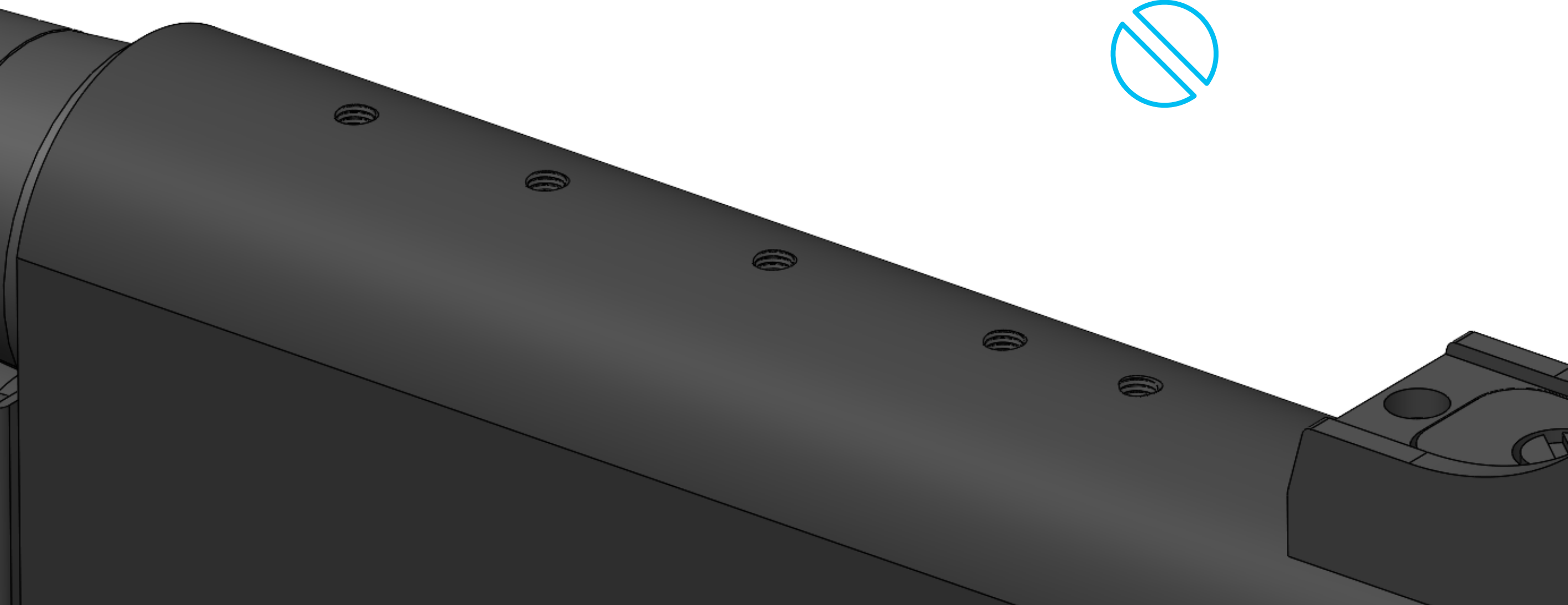
# RMR PLATFORM



## UNLOAD & MAKE WEAPON SAFE

03.

Remove Picatinny rail from shotgun (Factory screws have a light threadlocker applied).

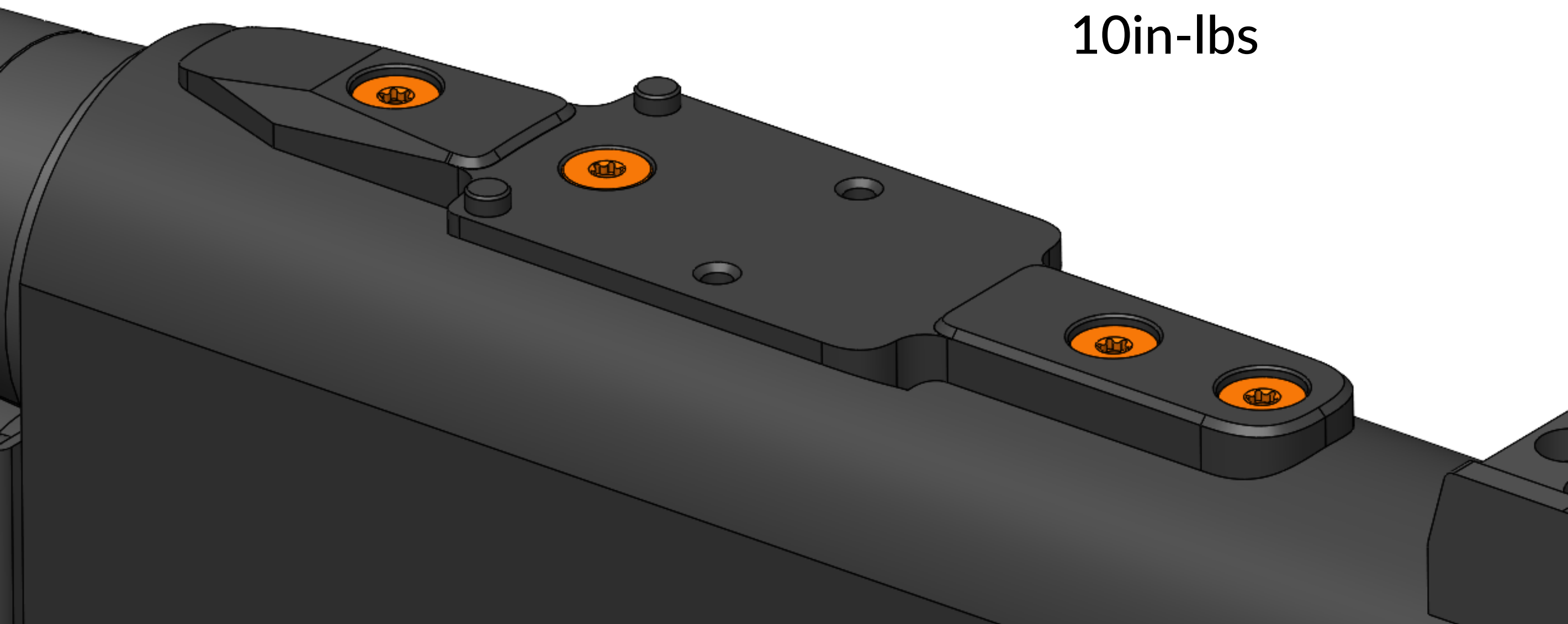


04.

Fasten mount to receiver. Use O-ring equipped screw where indicated. Avoid cross-threading.



10in-lbs





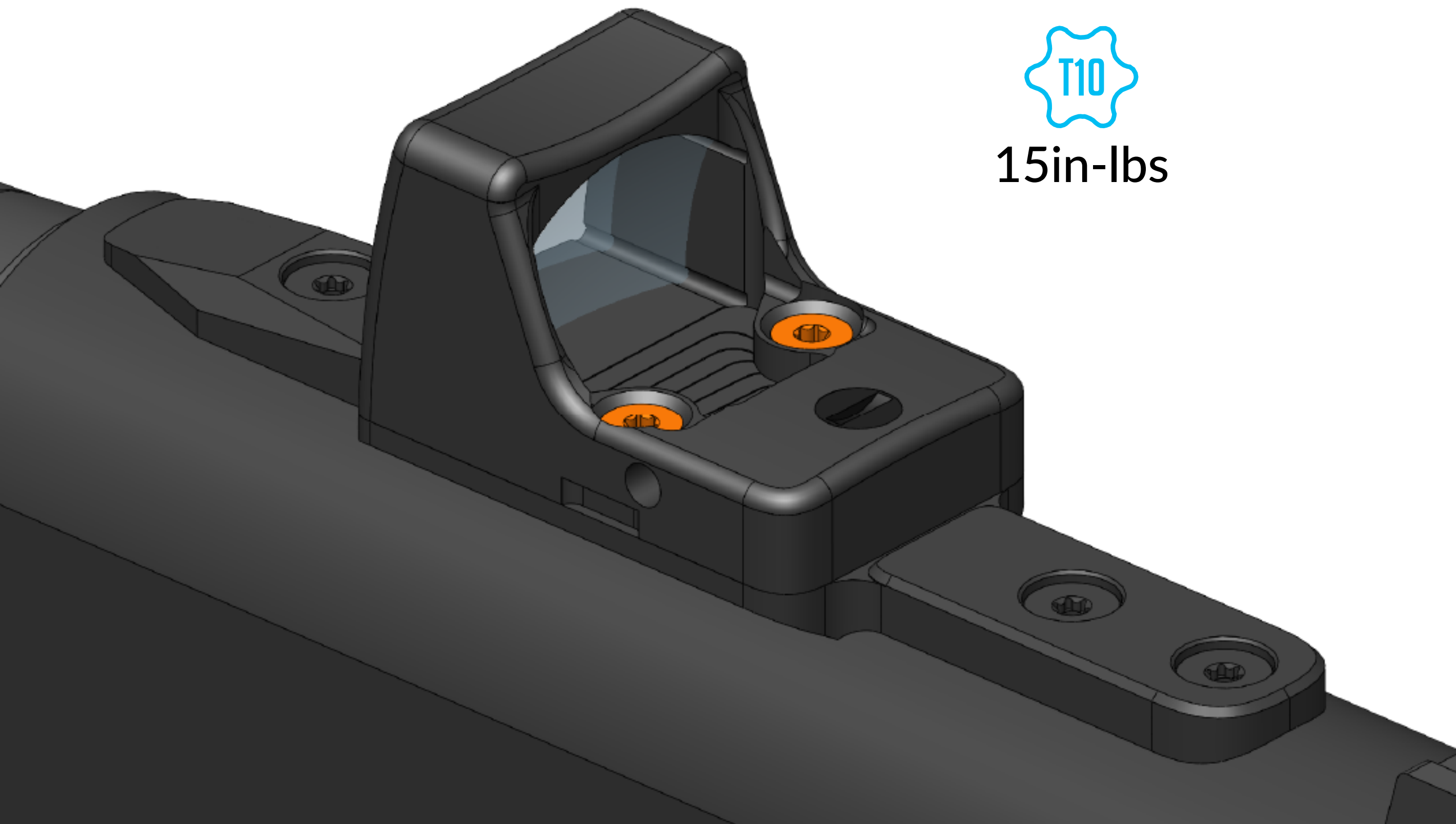
# RMR PLATFORM



**UNLOAD & MAKE WEAPON SAFE**

**04.**

Attach optic to Sync mount using correct length screws as per STEP 01.



15in-lbs

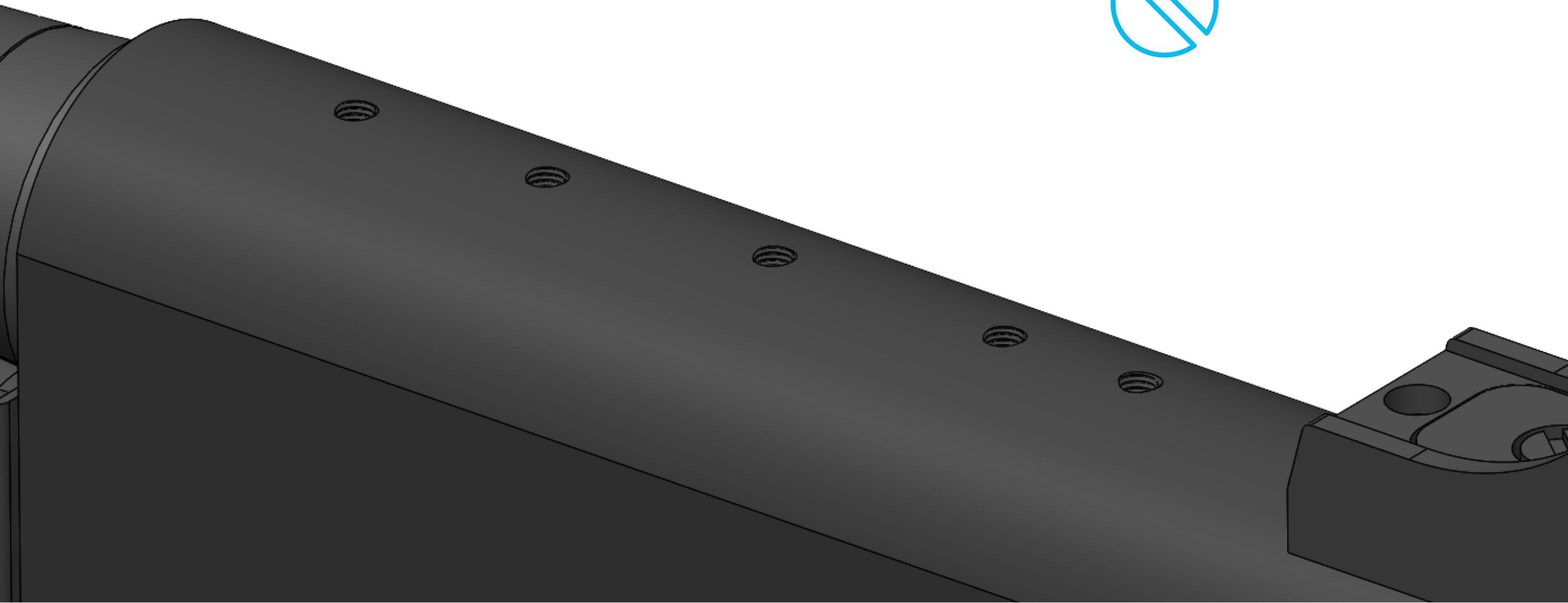
# ACRO PLATFORM



## UNLOAD & MAKE WEAPON SAFE

01.

Remove Picatinny rail from shotgun (Factory screws have a light threadlocker applied).

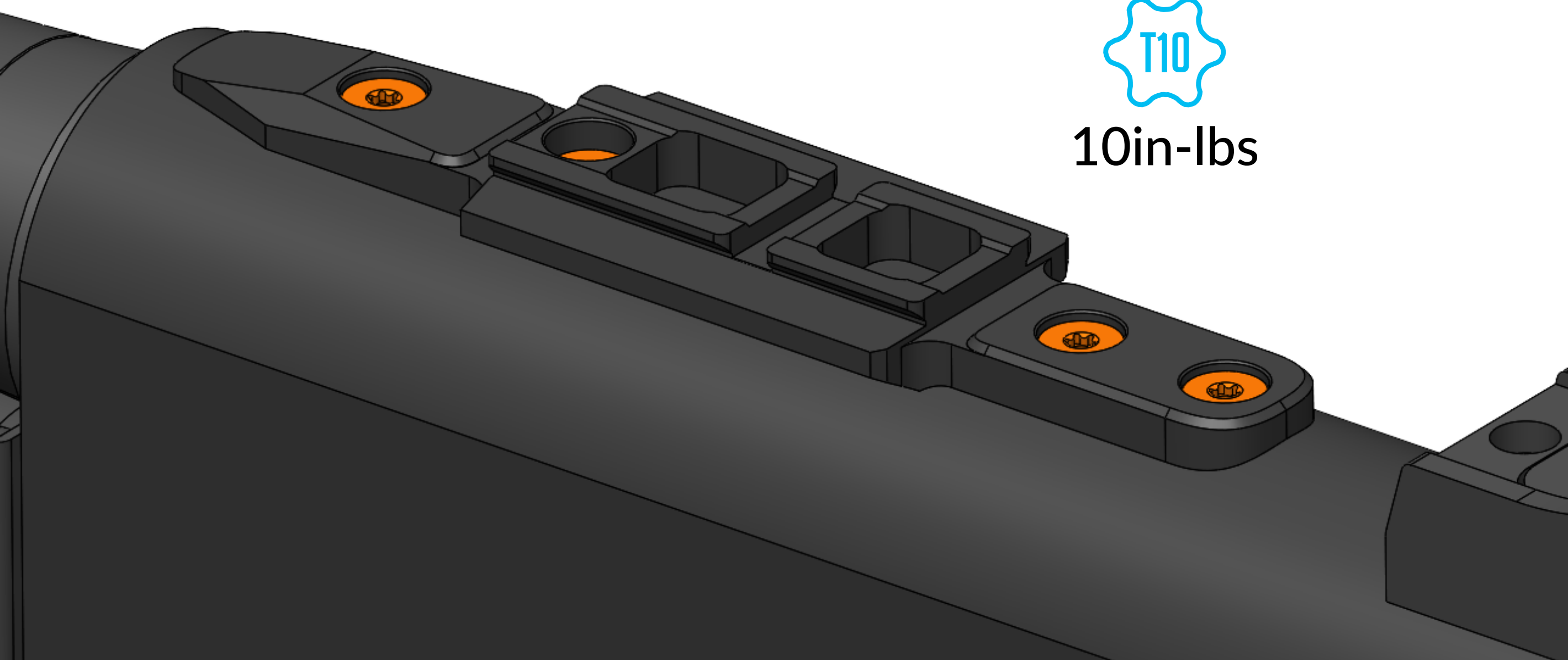


02.

Fasten mount to receiver using the supplied screws. Avoid cross-threading.



10in-lbs



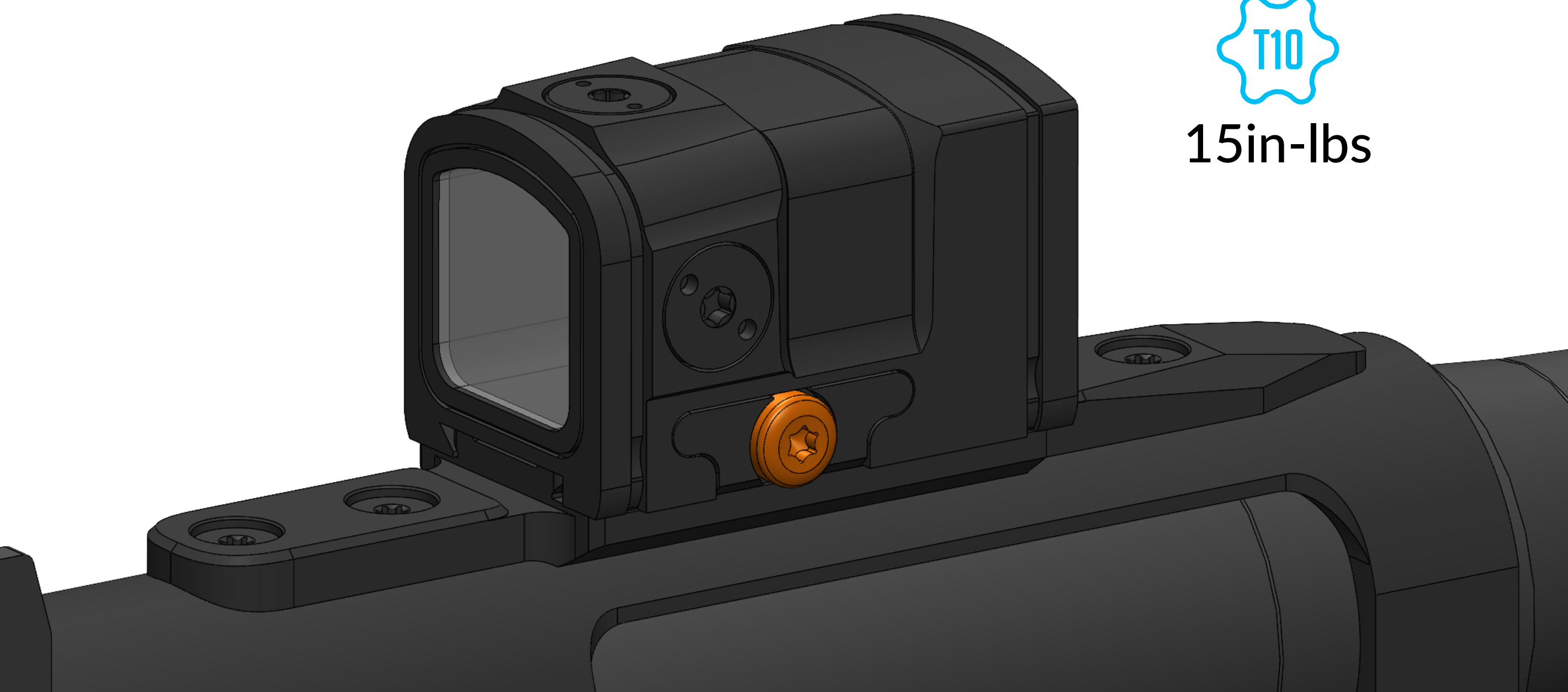
# ACRO PLATFORM



**UNLOAD & MAKE WEAPON SAFE**

**03.**

Attach optic to Sync mount.



15in-lbs

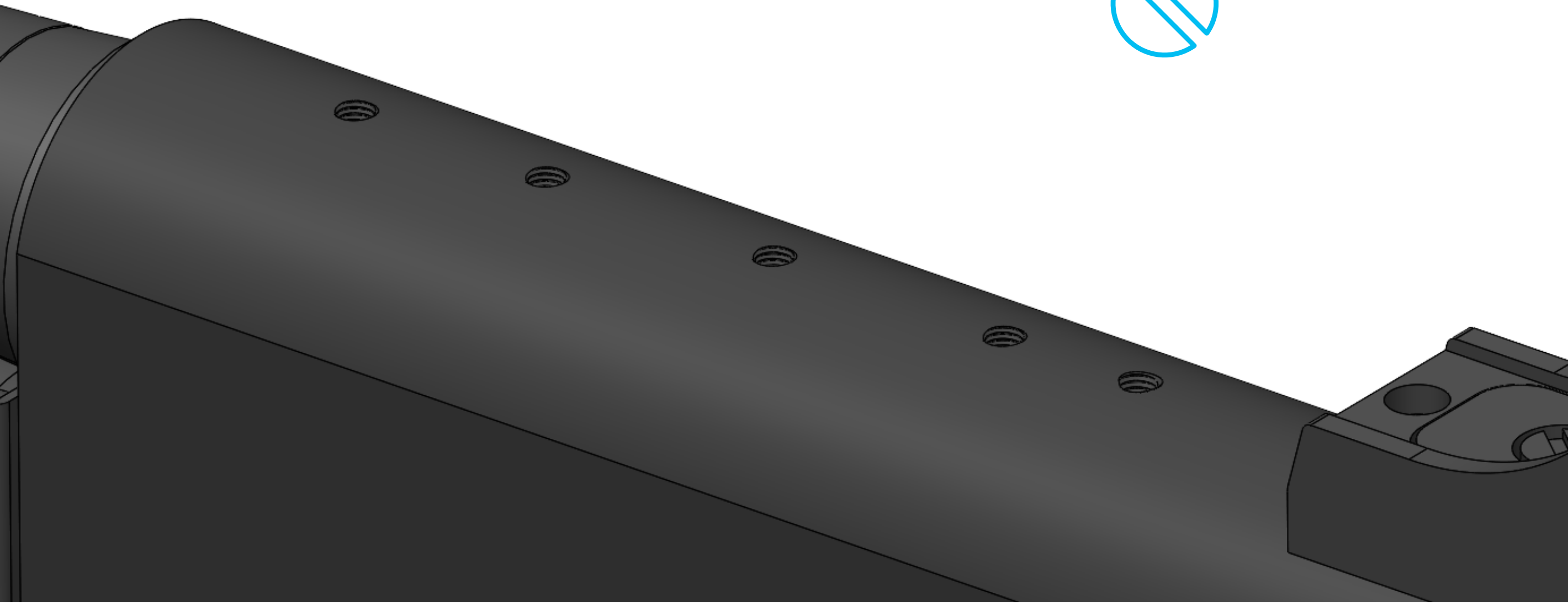
# MICRO PLATFORM



## UNLOAD & MAKE WEAPON SAFE

01.

Remove Picatinny rail from shotgun (Factory screws have a light threadlocker applied).

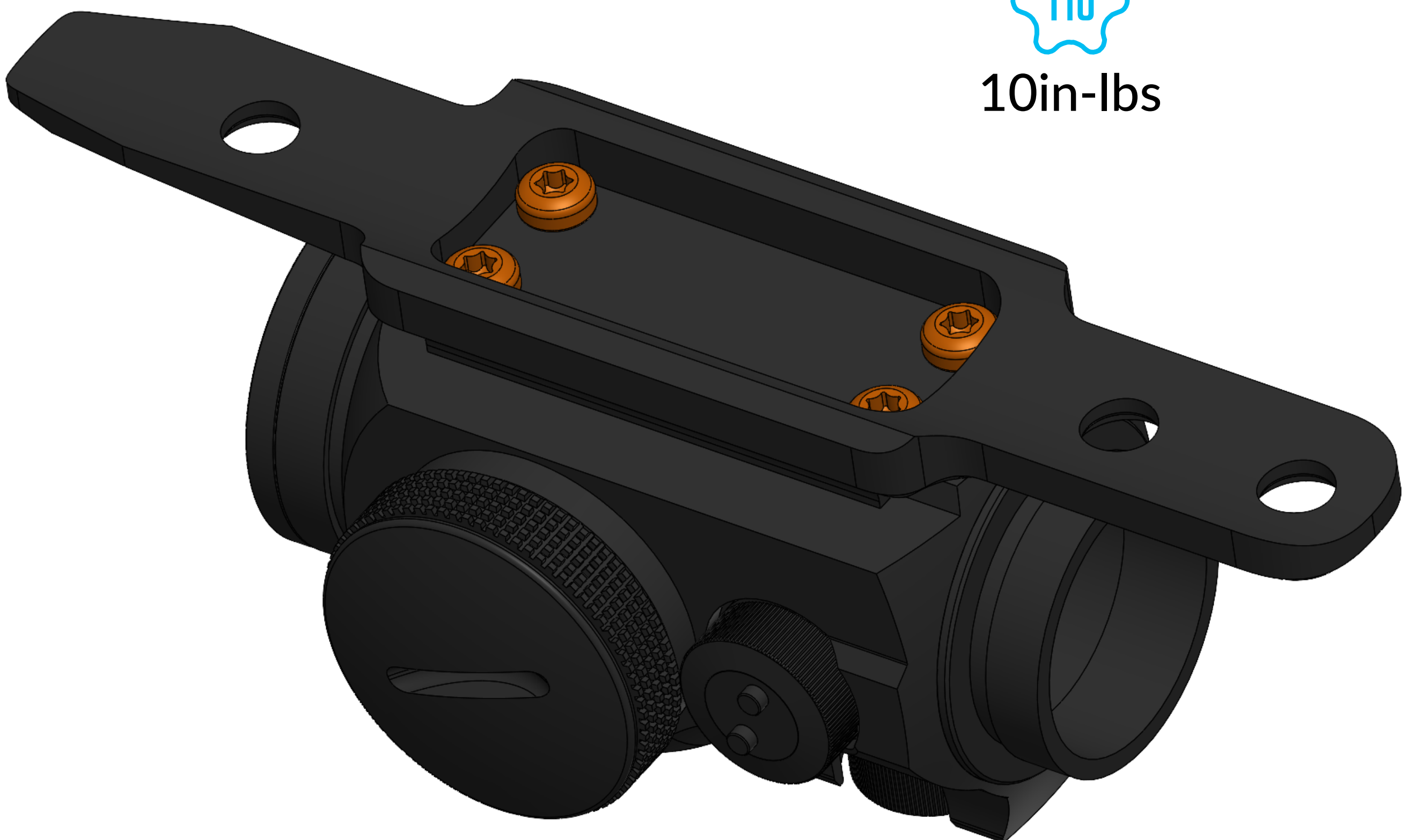


02.

Attach mount to receiver using the supplied screws. Avoid cross-threading.



10in-lbs



# MICRO PLATFORM



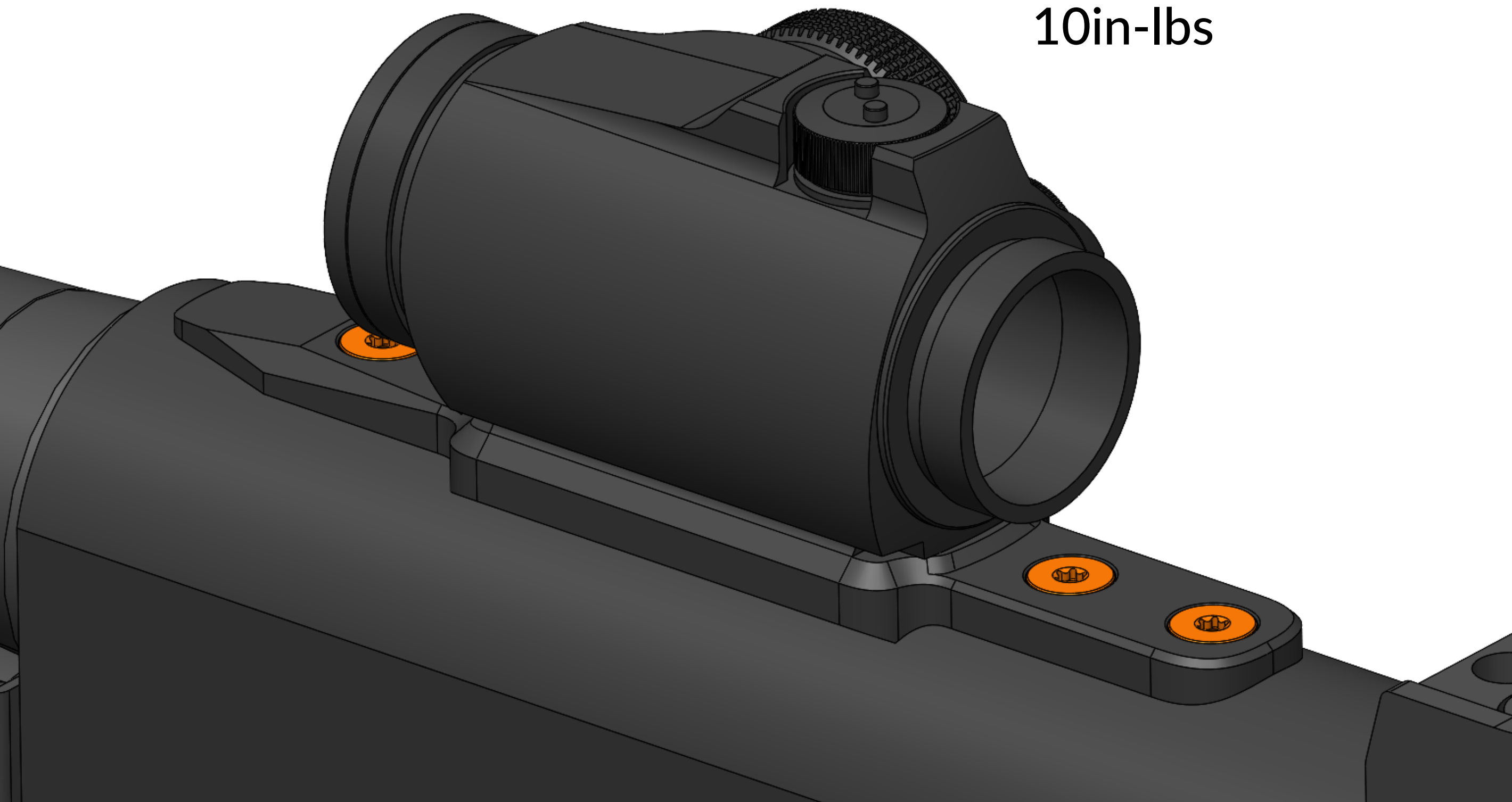
**UNLOAD & MAKE WEAPON SAFE**

**03.**

Remove flip-caps and attach mount to receiver using the supplied screws. Avoid cross-threading.



10in-lbs

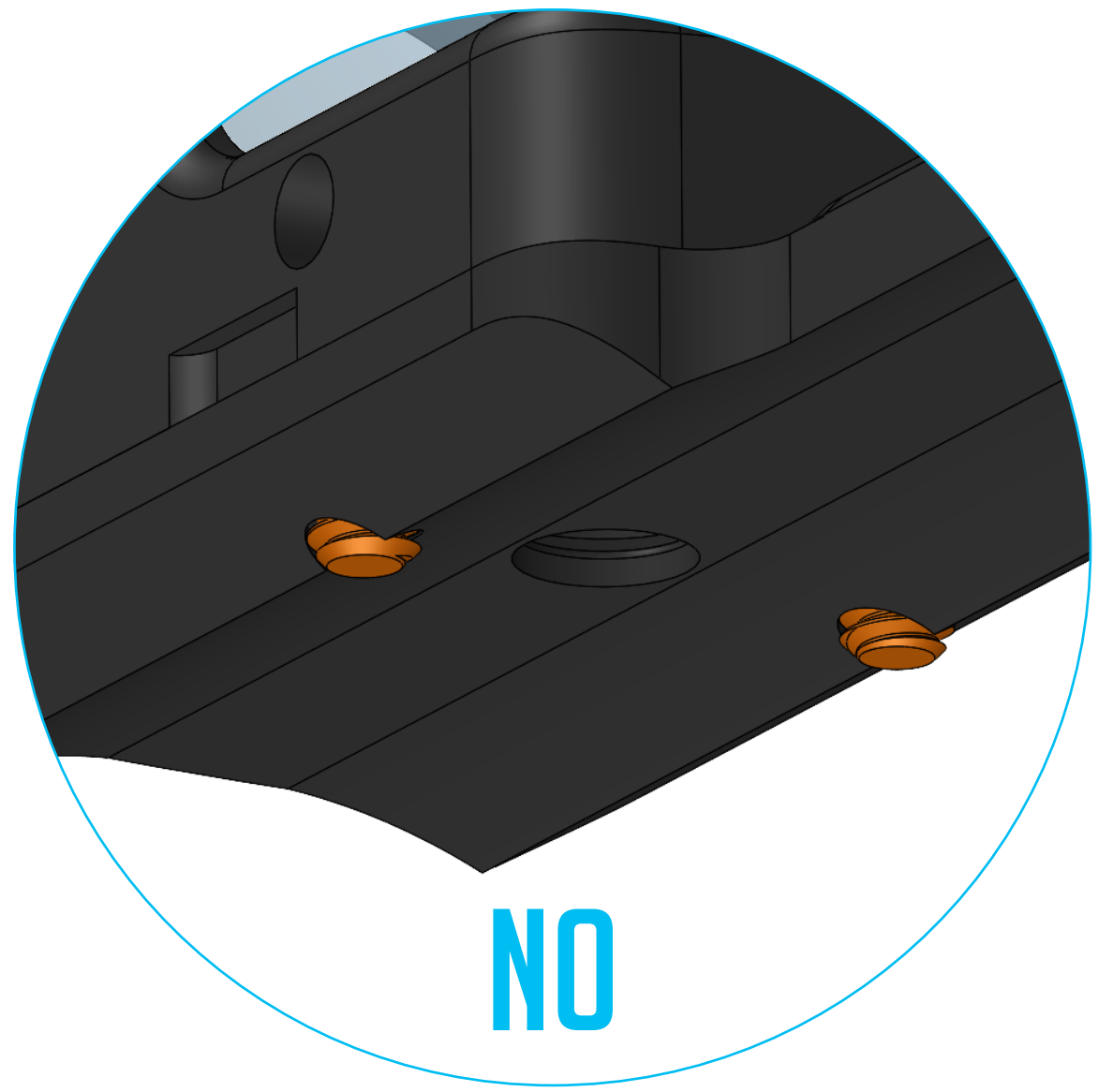
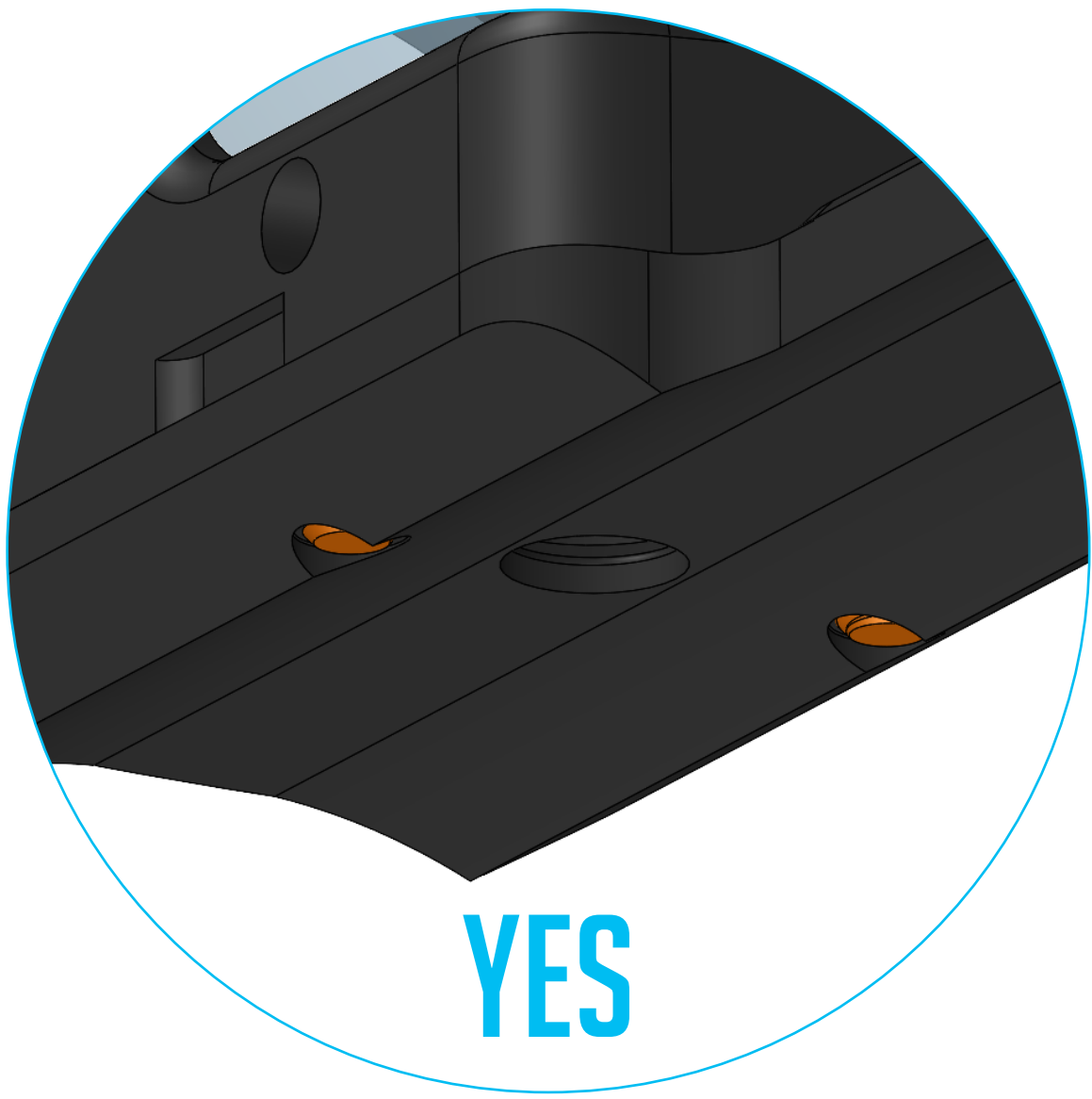




# DPP PLATFORM

01.

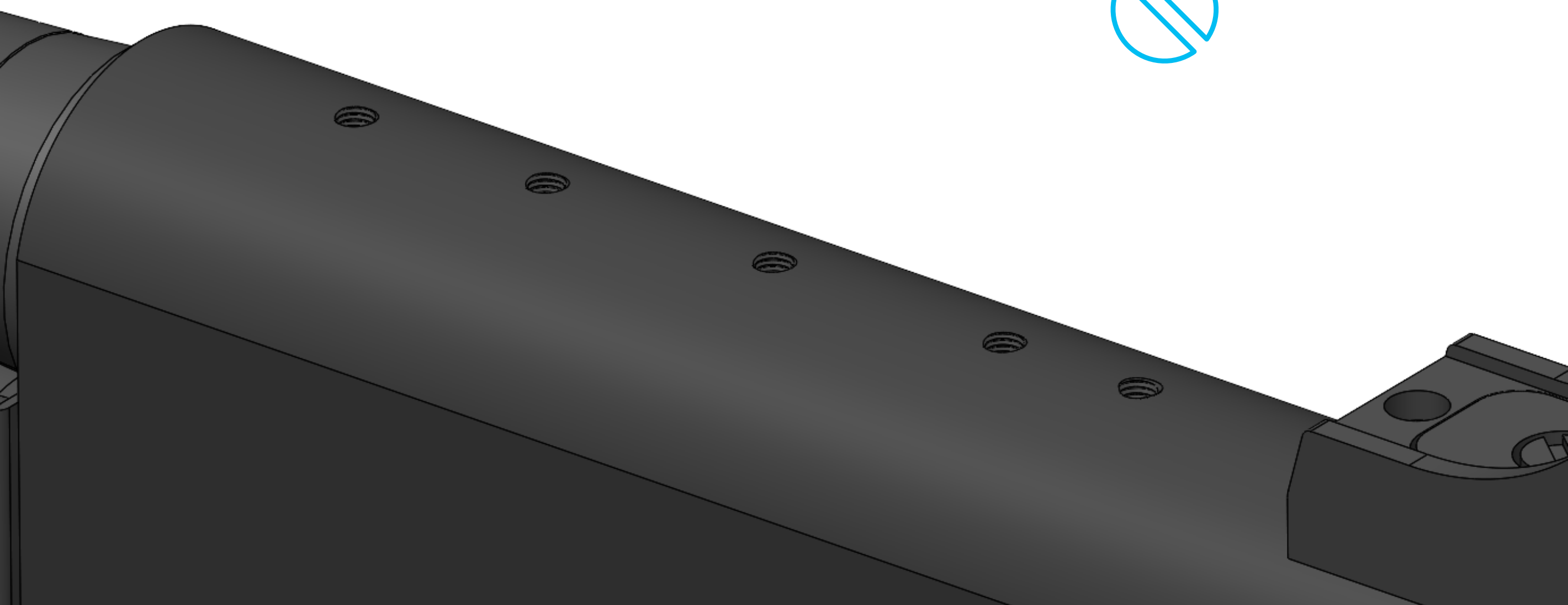
Verify correct optic screw length by fitting optic to mount before attaching to shotgun.



**DO NOT INSTALL IF SCREWS PROTRUDE**

02.

Remove Picatinny rail from shotgun (Factory screws have a light threadlocker applied).



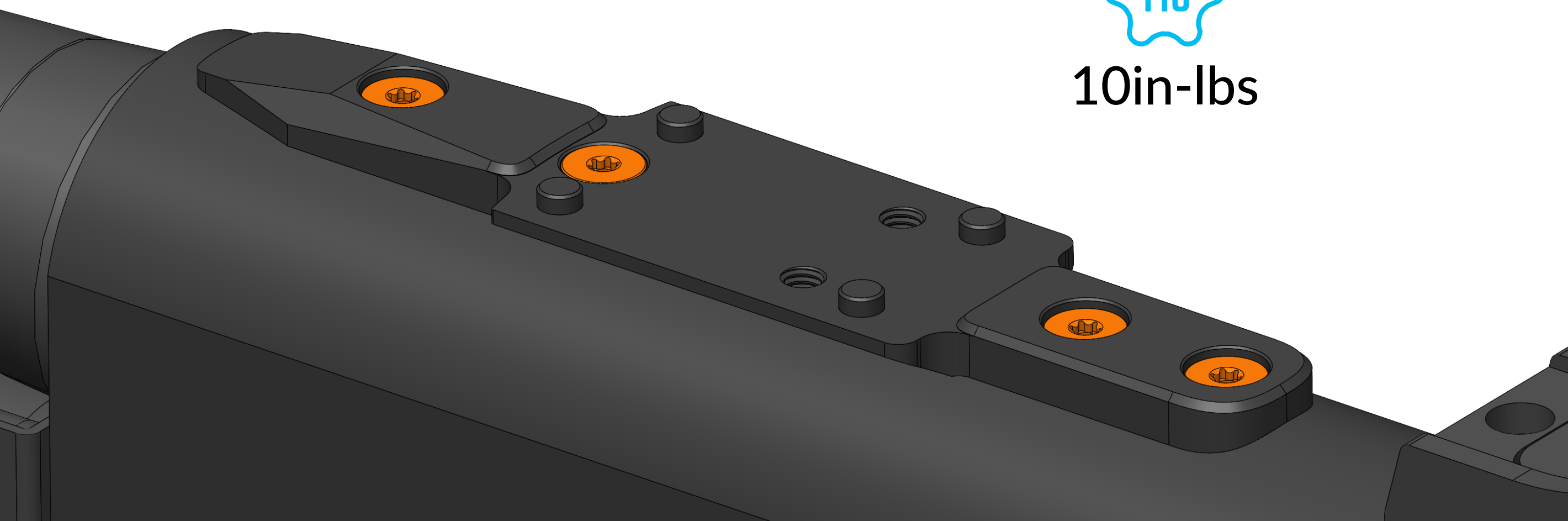
# DPP PLATFORM



**UNLOAD & MAKE WEAPON SAFE**

**03.**

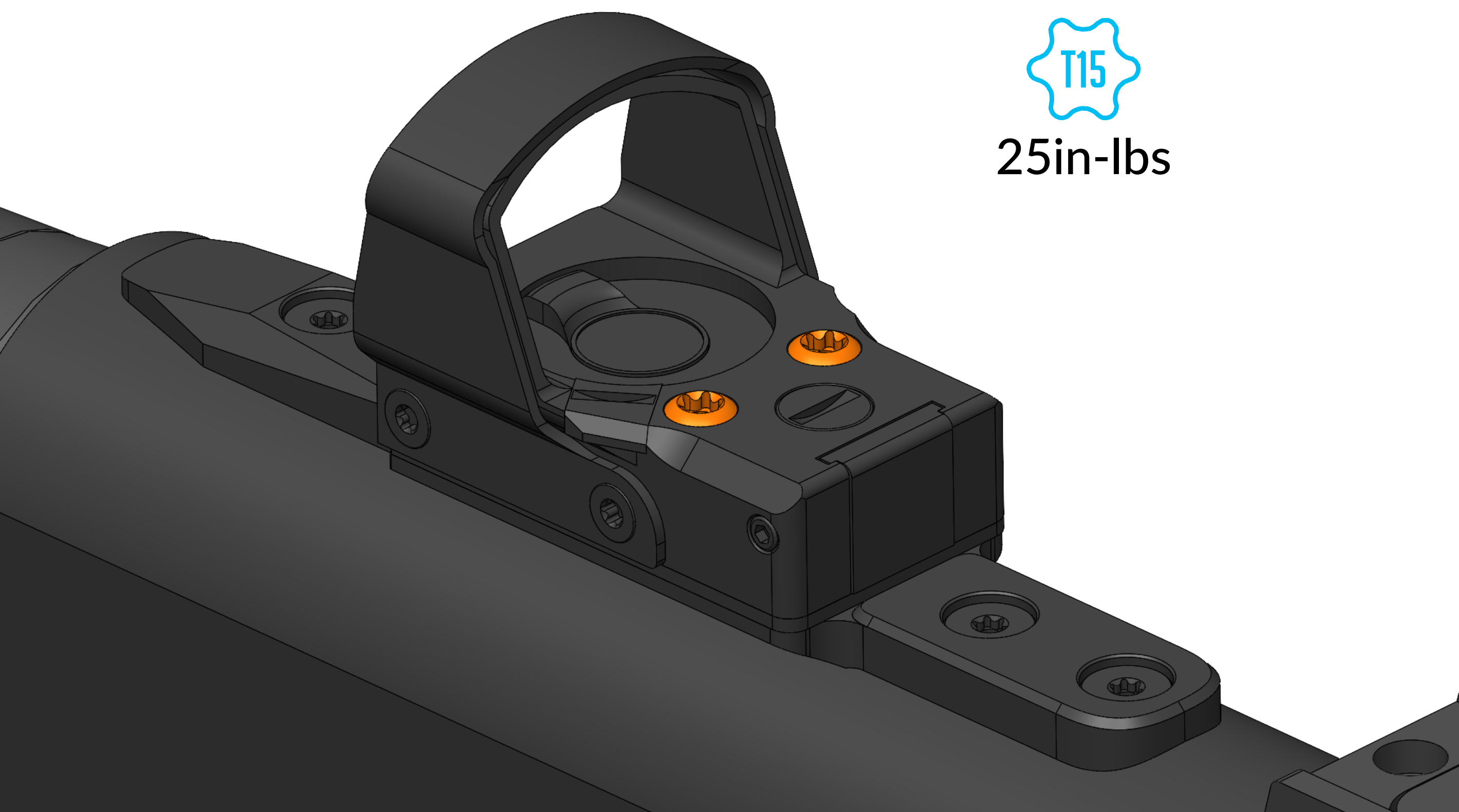
Fasten mount to receiver using the supplied screws. Avoid cross-threading.



10in-lbs

**04.**

Attach optic to Sync mount using correct length screws as per STEP 01.



25in-lbs

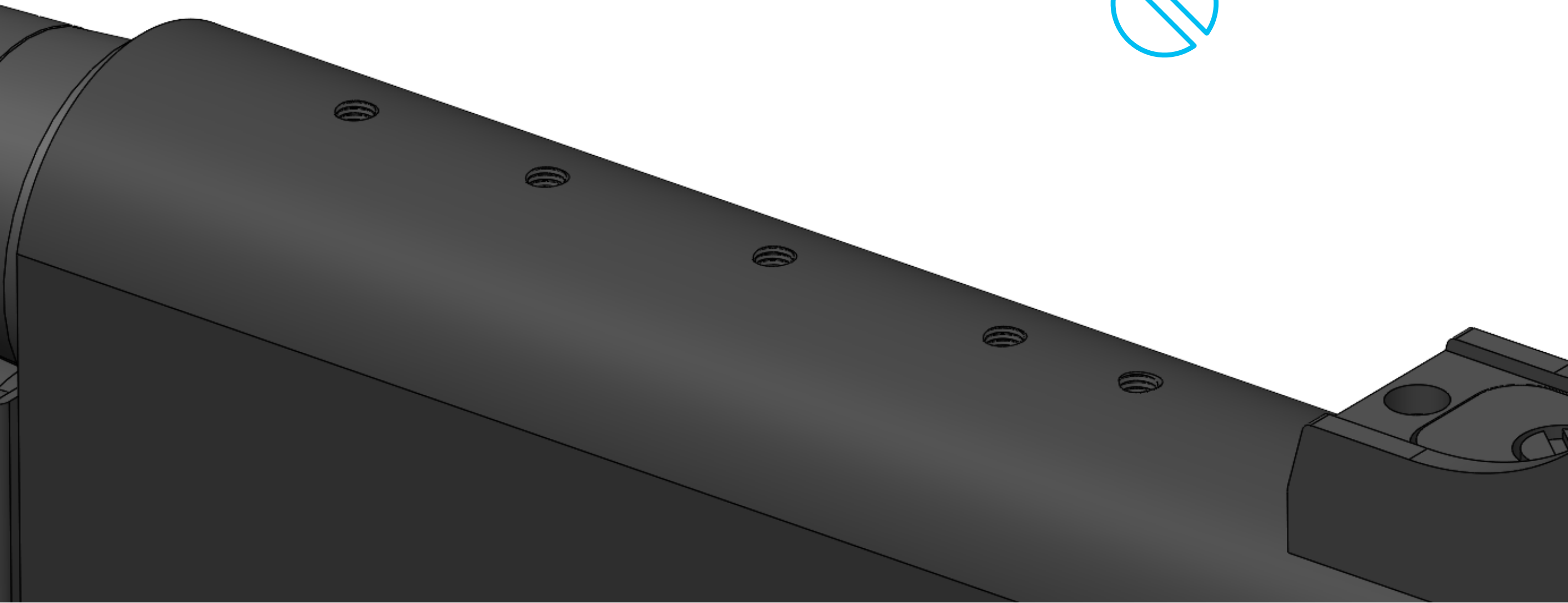
# 509T PLATFORM



## UNLOAD & MAKE WEAPON SAFE

01.

Remove Picatinny rail from shotgun (Factory screws have a light threadlocker applied).

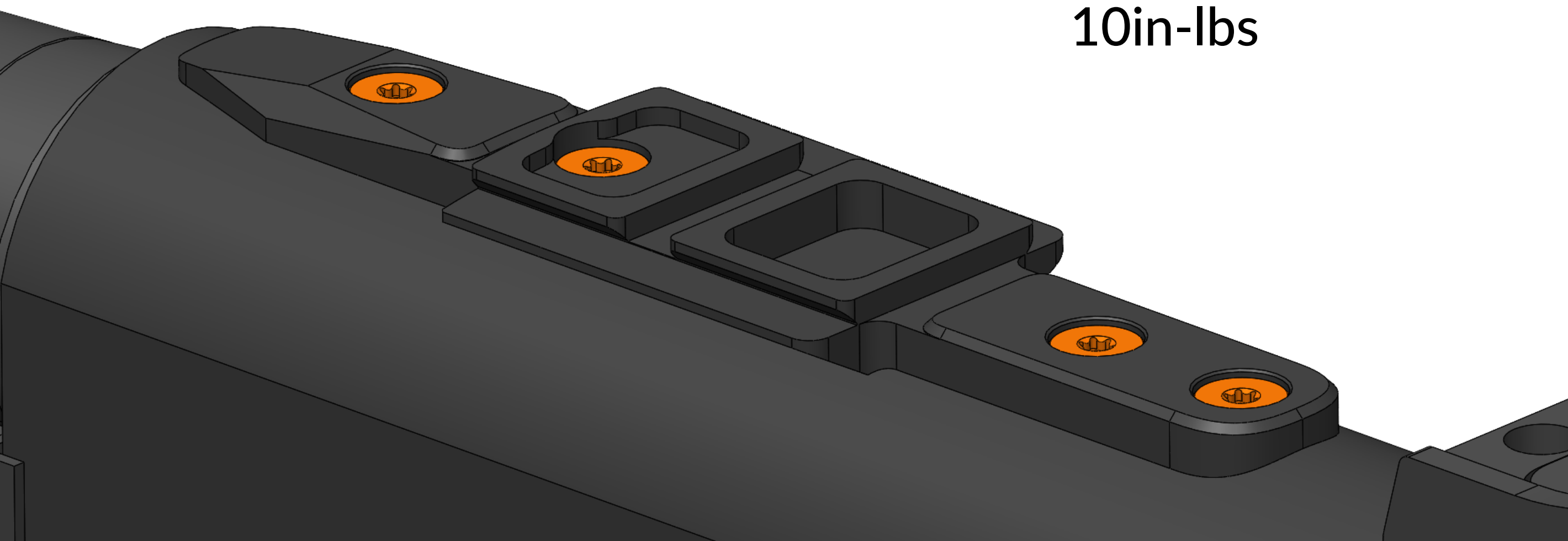


02.

Fasten mount to receiver using the supplied screws. Avoid cross-threading.



10in-lbs



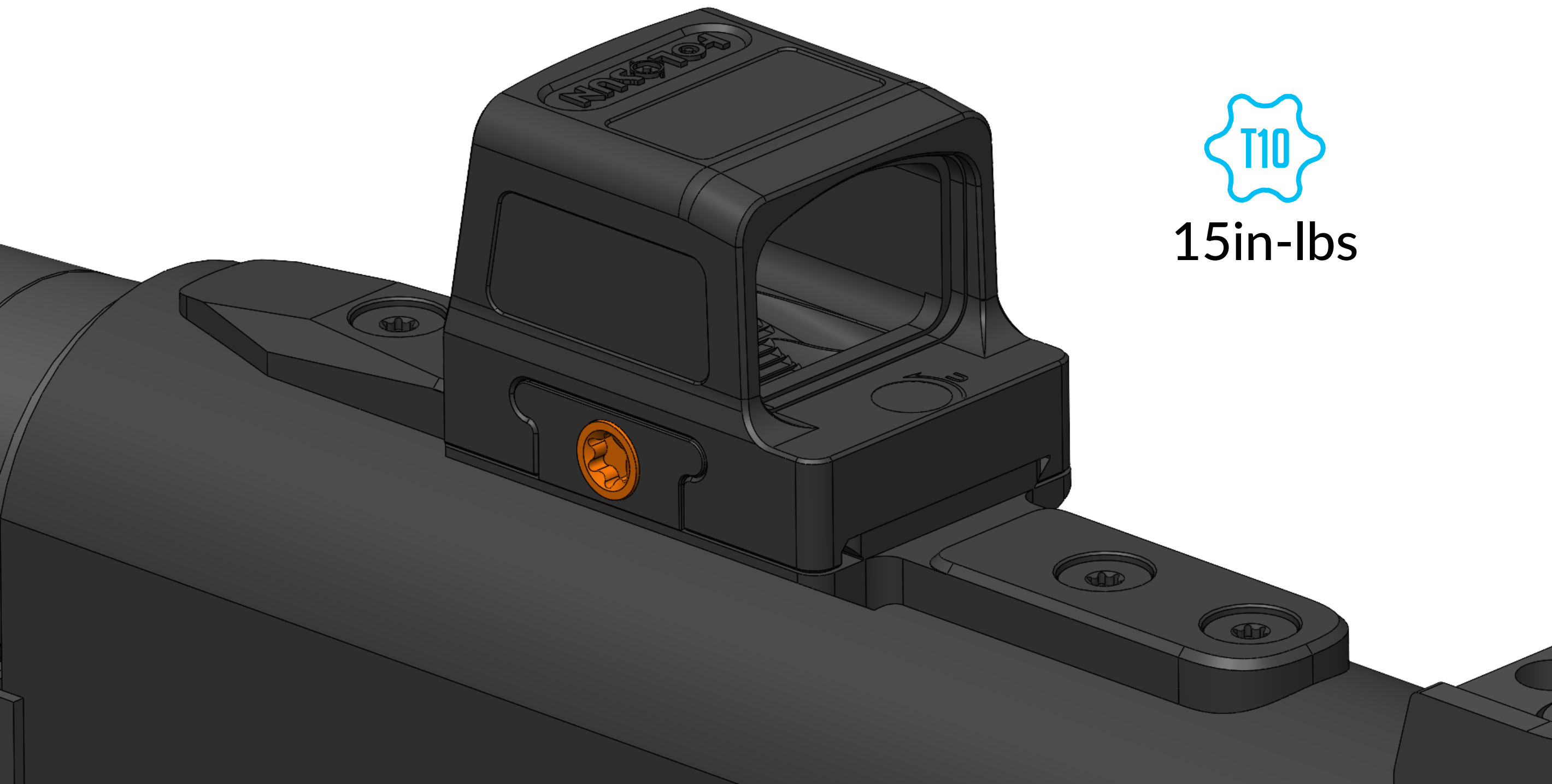
# 509T PLATFORM



**UNLOAD & MAKE WEAPON SAFE**

**03.**

Attach optic to Sync mount.



15in-lbs