

# SCALARWORKS®

S H O O T E R D R I V E N®

## SYNC/02

OWNER'S MANUAL



RMR



ACRO



Micro

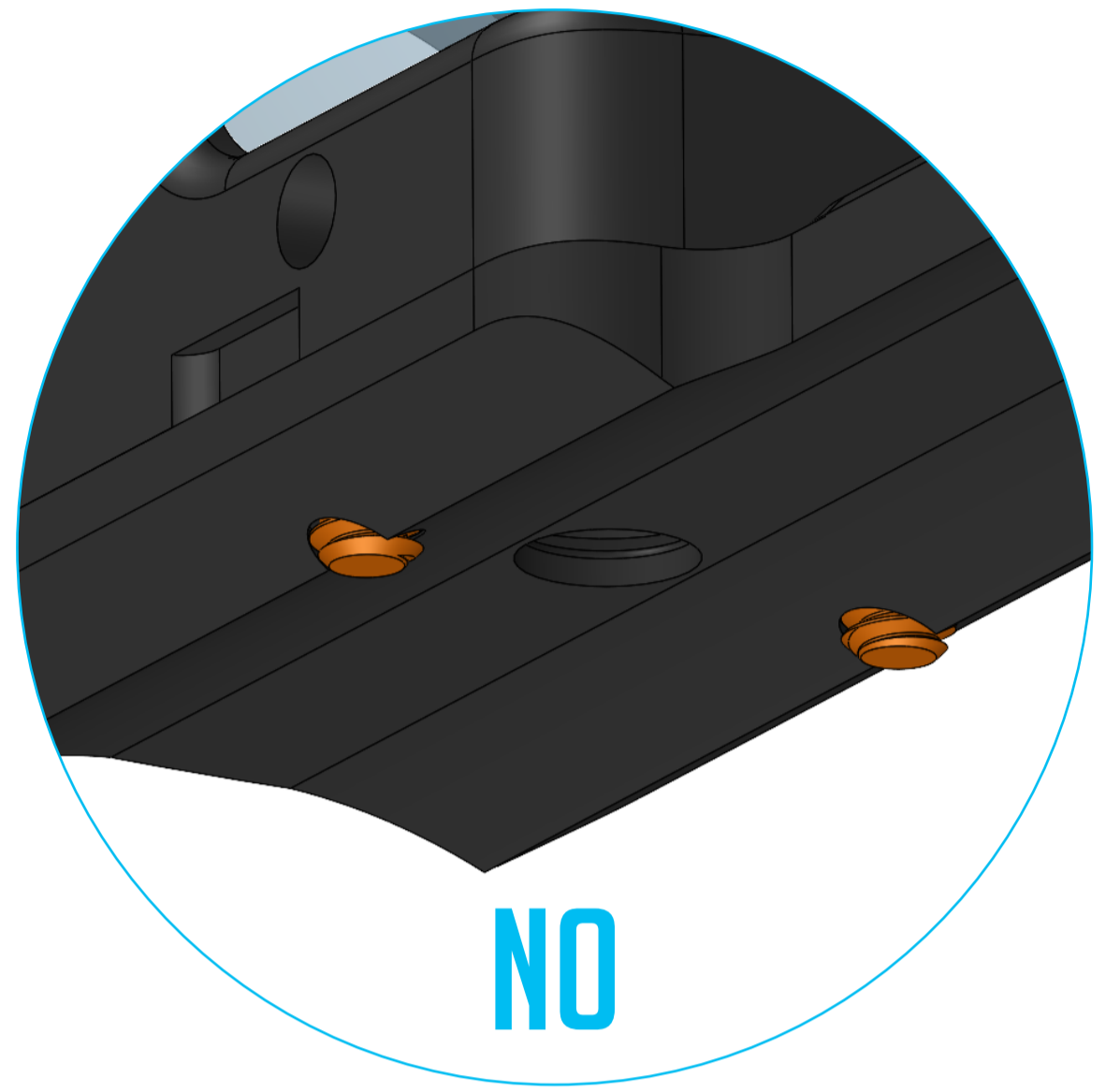
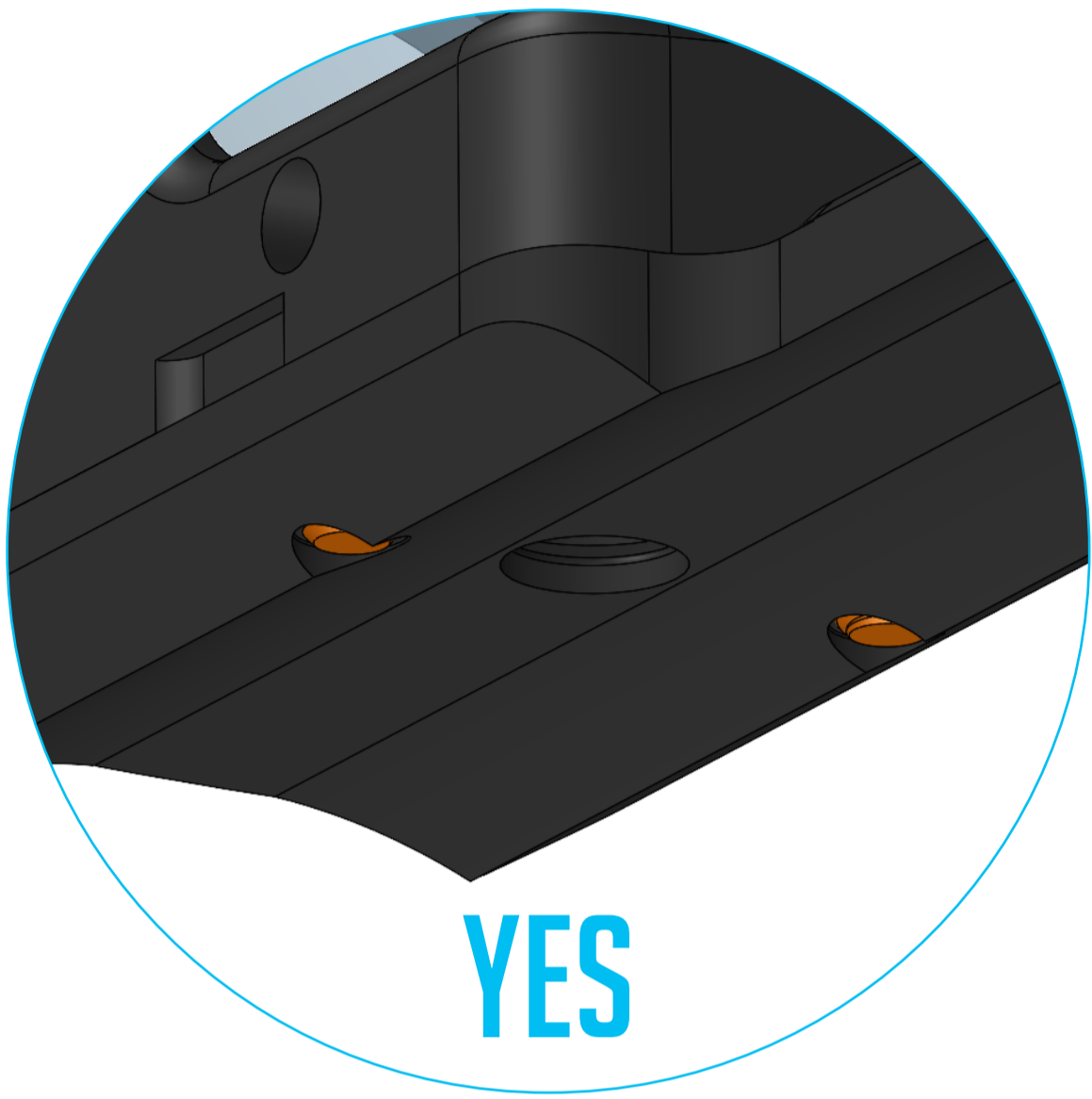
Questions?

[EMAIL SUPPORT](#)

# RMR PLATFORM

01.

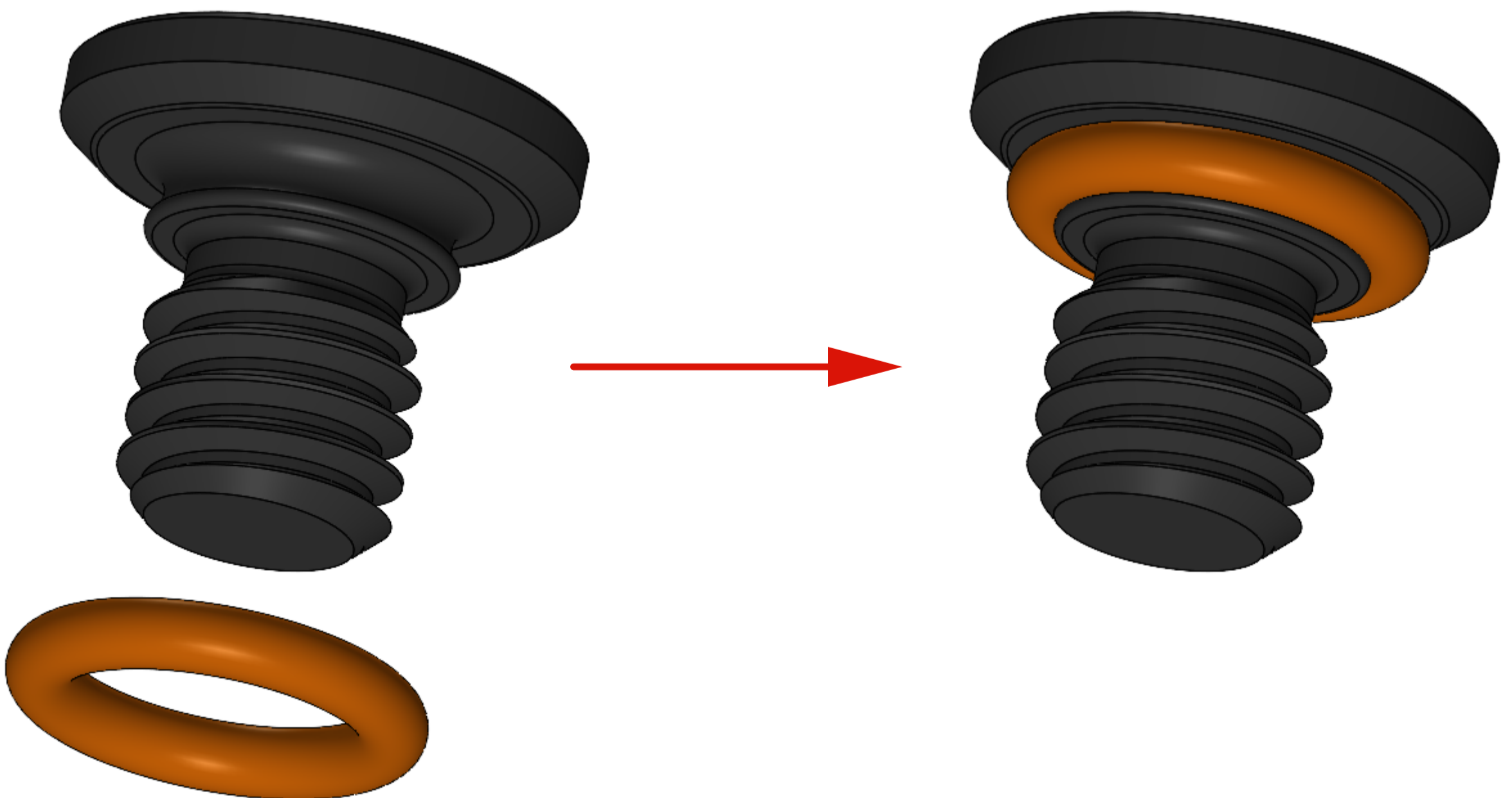
Verify correct optic screw length by fitting optic to mount before attaching to shotgun.



**DO NOT INSTALL IF SCREWS PROTRUDE**

02.

Seat included o-ring onto one of the mounting screws.



# RMR PLATFORM



**UNLOAD & MAKE WEAPON SAFE**

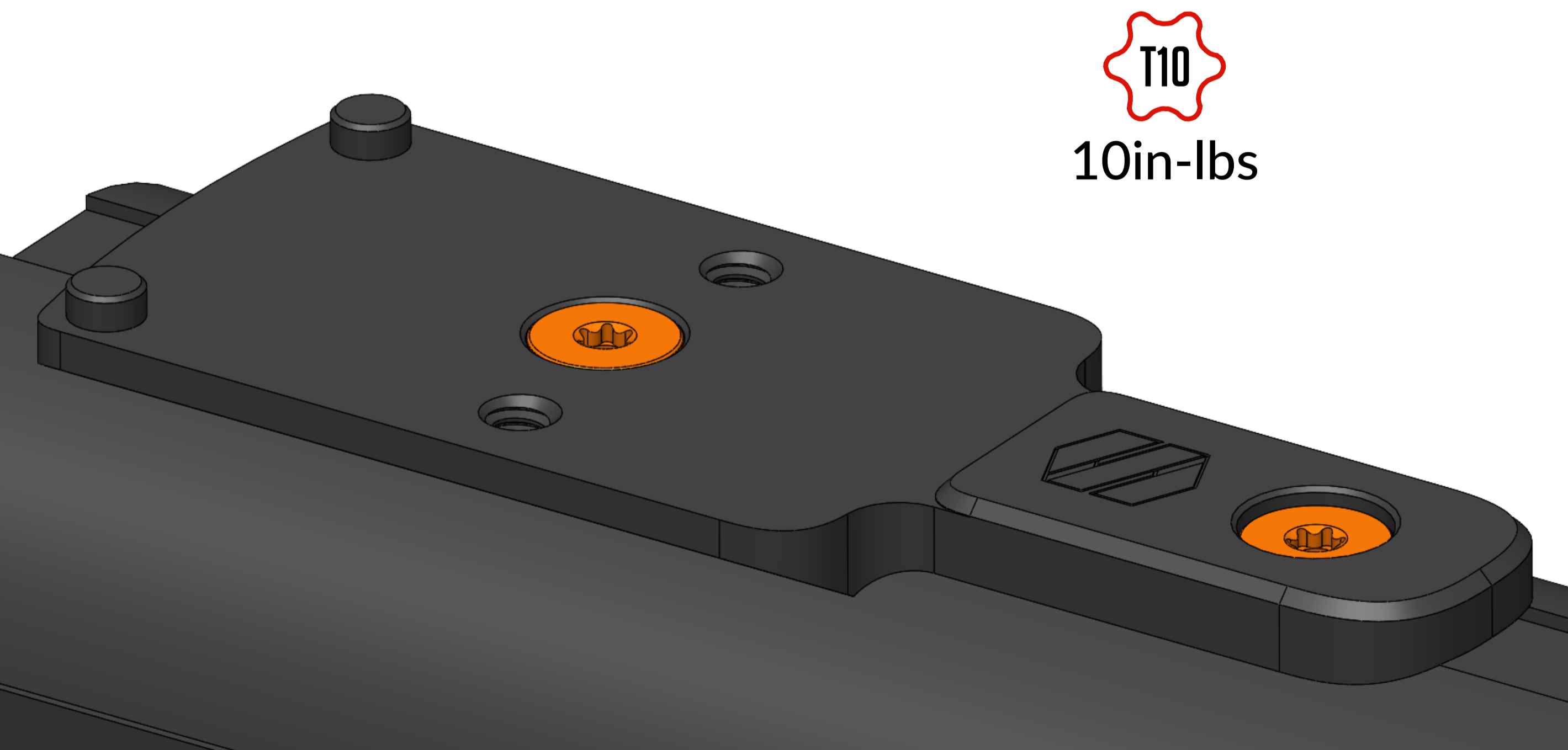
**03.**

Remove Picatinny rail from shotgun.



**04.**

Fasten mount to receiver. Use O-ring equipped screw on RMR platform where indicated.



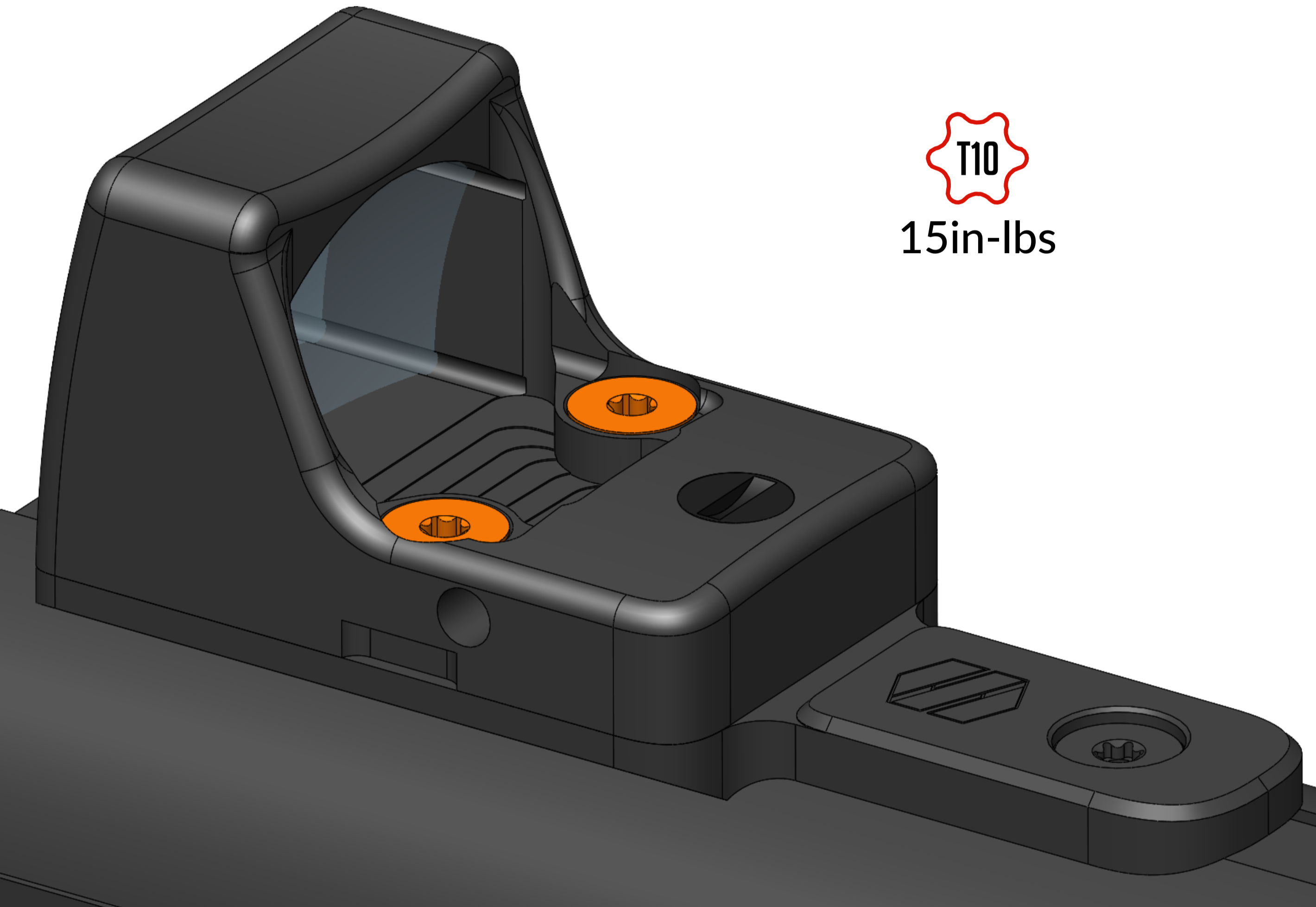
# RMR PLATFORM



**UNLOAD & MAKE WEAPON SAFE**

**04.**

Attach optic to Sync mount using correct length screws as per STEP 01.





# ACRO PLATFORM



**UNLOAD & MAKE WEAPON SAFE**

**01.**

Remove Picatinny rail from shotgun.

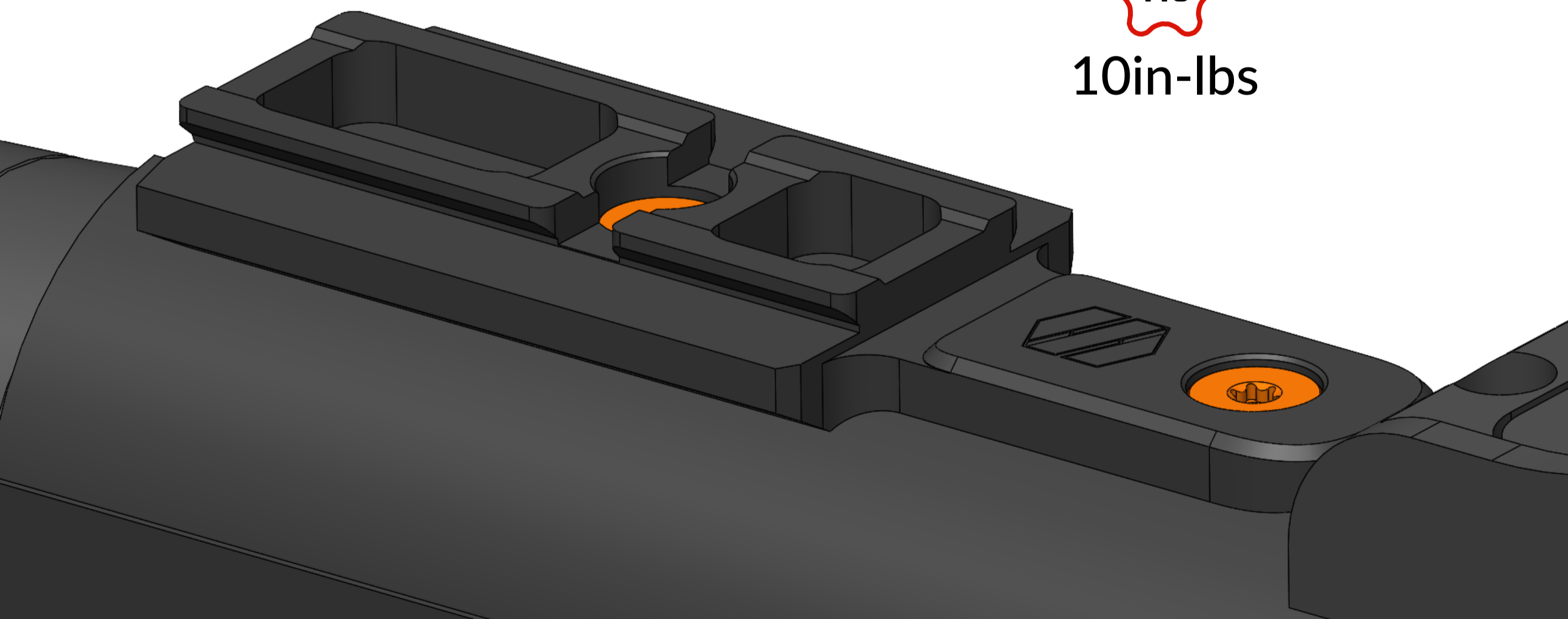


**02.**

Fasten mount to receiver using the supplied screws.



10in-lbs



# ACRO PLATFORM



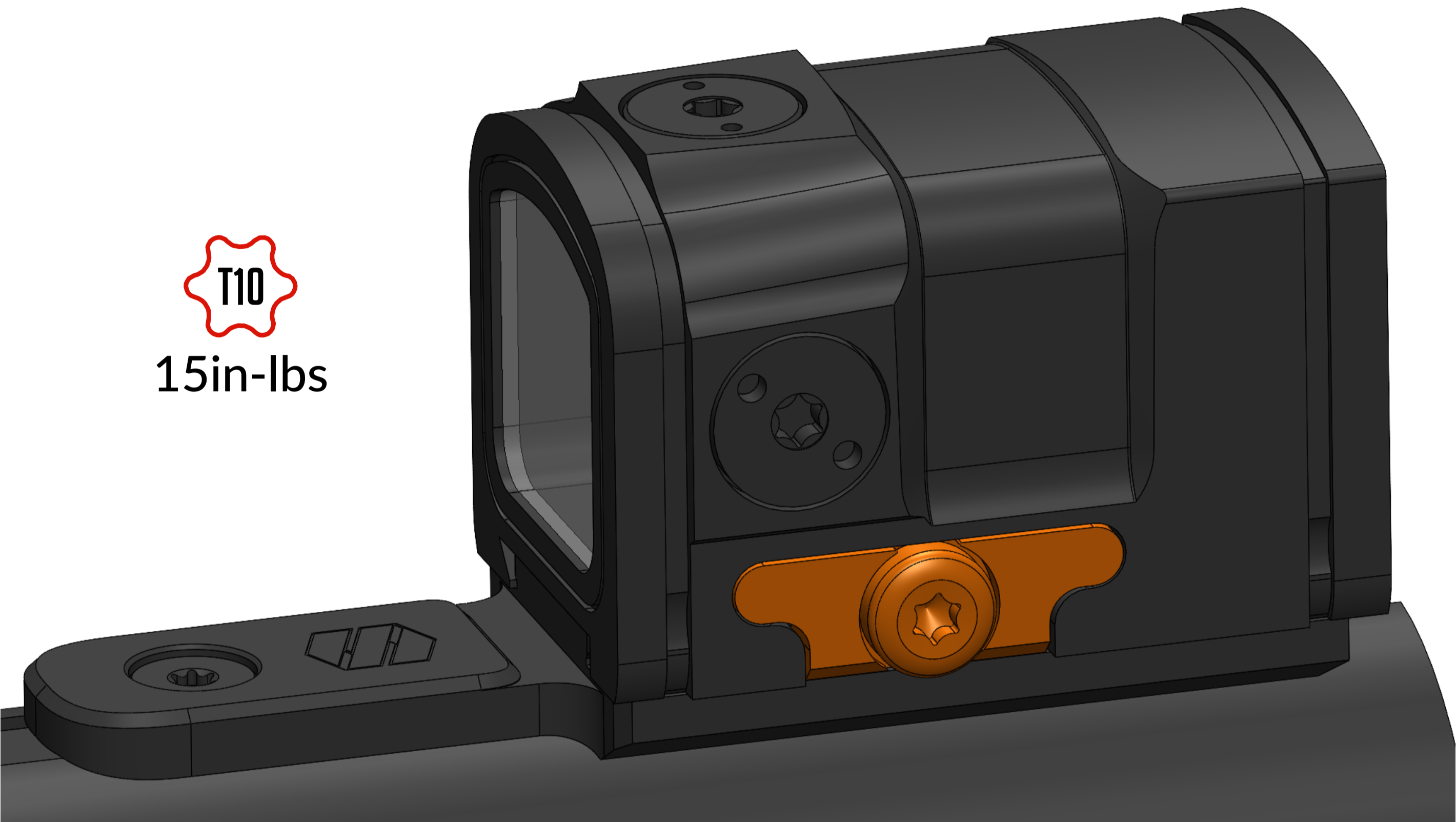
**UNLOAD & MAKE WEAPON SAFE**

**03.**

Attach optic to Sync mount.



15in-lbs



# MICRO PLATFORM



**UNLOAD & MAKE WEAPON SAFE**

**01.**

Remove Picatinny rail and rear sight base from shotgun.



**02.**

Attach mount to receiver using the supplied screws.



10in-lbs



# MICRO PLATFORM



**UNLOAD & MAKE WEAPON SAFE**

**03.**

Remove flip-caps and attach mount to receiver using the supplied screws.



10in-lbs

